



*EURUS S3/S4*  
*Built-in X-ray*



# Reliable DC X-ray by Belmont



## Premium LCD touchscreen sub-controller

### Intuitive and easy selection

Intuitive and easy selection of tooth type, cone type, film / digital modes, film speed, kV, mA and patients size.

### Customizable LCD display view

LCD display view can be customized for operator preference. Built-in USB side port enables operators to import personalized screen saver photographic images or dental practice / doctor's name for practice identification and branding.

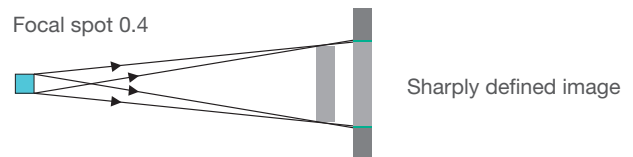
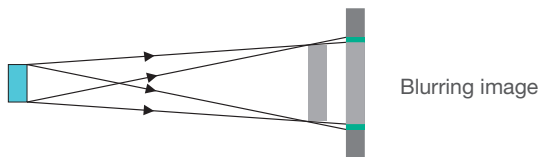
## Standard Sub-controller





## Features

Small 0.4 focal spot value for the sharpest image possible



## Radiation dosage

PHOT-X IIS utilizes a Direct Current (DC) generator to minimize radiation absorbed by patients. In addition, there are 36 programmable exposure time settings between 0.01 to 2.0 seconds to fine tune the precise amount of radiation required to produce an excellent radiographic image.

## Optimum radiation level for every patient

The operation is simple. Select patient type and tooth type, then press the exposure switch. The exposure time can also be adjusted manually. After the exposure, the radiation output can be displayed in the window.

## Realization of slim and light arm

Our spring arm is designed to have a good balance with load and repulsive force at any position within the movable range and make it possible to make tube head stay at any point when the hands are released. Moreover, well balanced rigidity design helps to reduce the vibration of the tube head after positioning. These methods realize the smooth and easy positioning of the tube head.

## Easy to position compact tube head



The tube head is lightweight, compact and easy to hold. This enables the operator to align the tube head accurately every time.



## Tube voltage selection

PHOT-X IIS provides 2 tube voltage settings to optimize imaging for specific purposes:

[60 kV Setting]

- Setting provides balanced contrast for general caries diagnostic imaging.
- Setting provides excellent definition and detail for periapical and bone structure diagnostic imaging.

[70 kV Setting]

- Setting provides excellent diagnostic imaging for periodontal disease examination.
- Setting provides a wider latitude and longer gray scale.

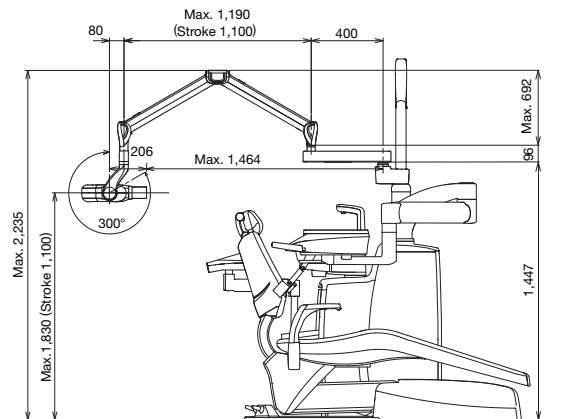
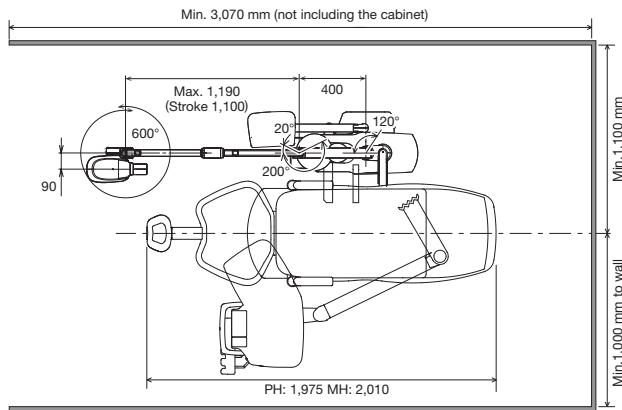
[Learn more about PHOT-X IIS 505 >](#)



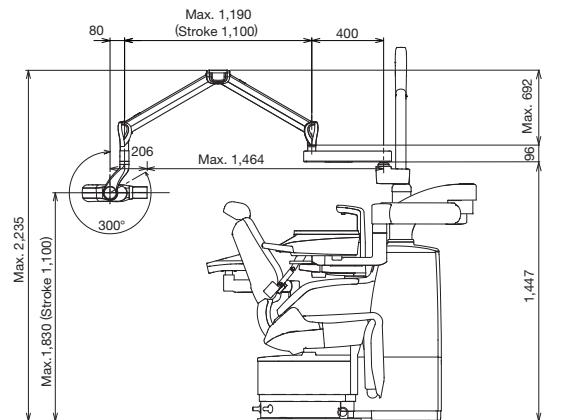
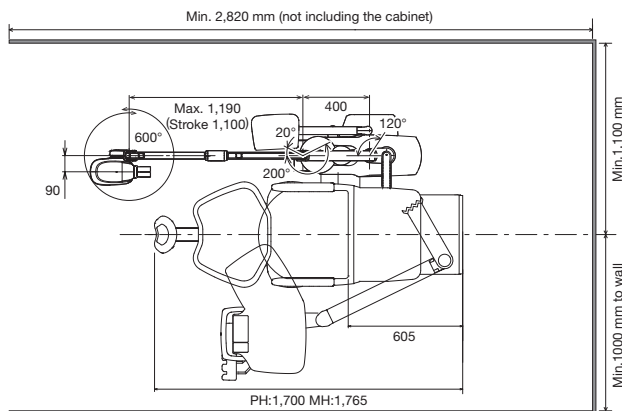
# Dimensions

## EURUS S3

(mm)



## EURUS S4



# Specifications

Nominal focal spot value	0.4 (IEC 60336)	
Rated tube potential	60 kV / 70 kV (selectable)	
Rated tube current	3 mA / 6 mA (selectable)	
Rated line voltage	100 / 110 / 120 / 220 / 230 / 240 VAC 50 / 60 Hz	
Rated line current (at 70 kV / 6 mA)	· 11.0 A (100 V) · 10.5 A (110 V) · 10.0 A (120 V) · 6.4 A (220 V) · 6.2 A (230 V) · 6.0 A (240 V)	
Line voltage range	±10%	
Exposure time	0.01 to 2.0 sec.	
Total filtration	2.0 mmAl Equivalent at 70 kV	
Source to skin distance (SSD)	Regular cone	203 mm
	Long cone (option)	305 mm
	Rectangular collimator (option)	SSD of cone + 40 mm
Duty cycle	1 : 30	
Half value layer	1.5 mmAl over	
Density preprogram	Film	16 programs
	Digital Sensor	16 programs

### Names of Components

- Dental X-ray :PHOT-XIIS MODEL 505
- :PHOT-XIIS 505
- :PHOT-XIIs MODEL 505
- :PHOT-XIIs 505
- :PHOT-XIIs 505LCD
- :PHOT-XIIs MODEL 505 WITH ACCESSORIES



TAKARA BELMONT CORPORATION

2-1-1, HIGASHISHINSAIBASHI, CHUO-KU, OSAKA, 542-0083, JAPAN  
 +81-6-6213-5945 <https://dental.takarabelmont.co.jp/>



Follow Us

