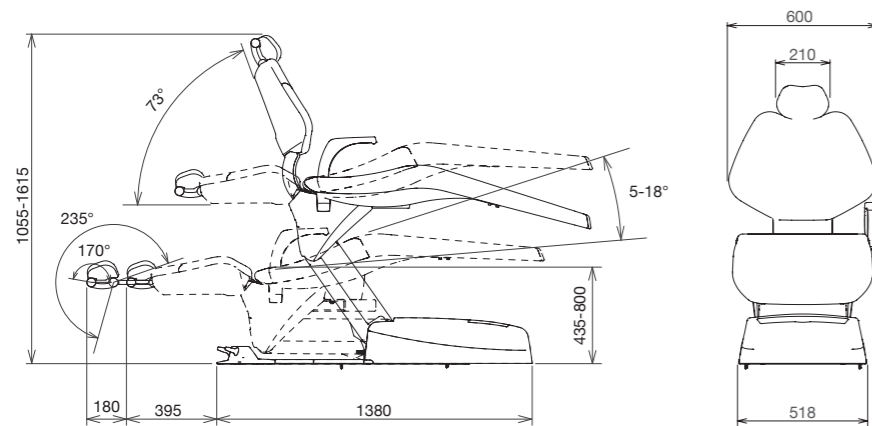
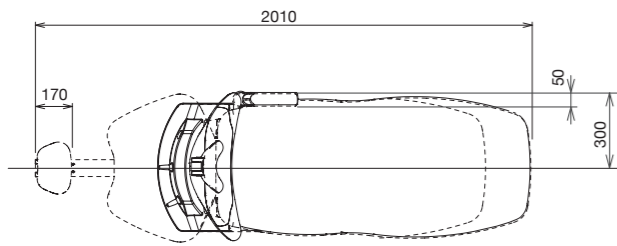
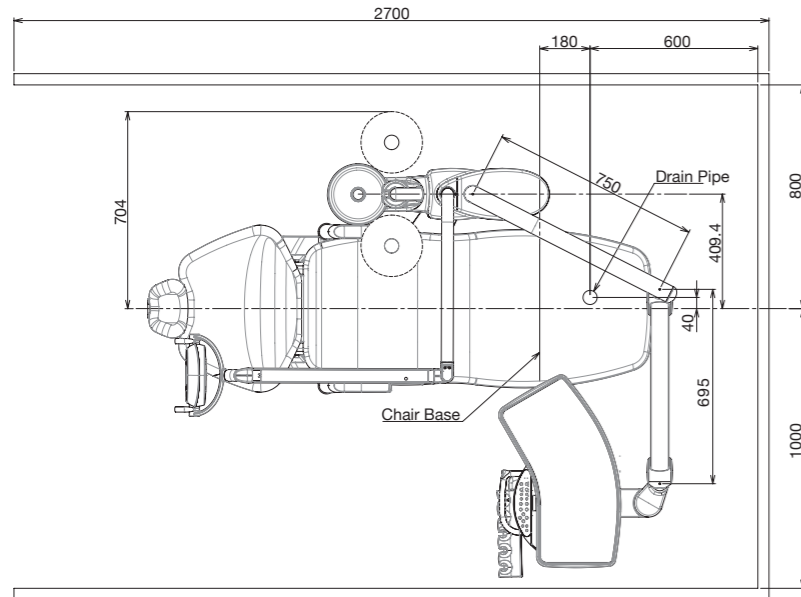


Dimensions



Unit: mm  
Tolerance in dimensions: ±10%

- Names of Components
- Dental Unit : CLESTA II  
CELEB
- Dental Chair : CLESTA II CHAIR  
CELEB CHAIR  
CLESTA II CHAIR (EURUS TYPE)
- Dental Light : EURUS LIGHT  
900 LED LIGHT  
300 LED LIGHT



CLESTA II CHAIR

# Smooth and Relax

The **hydraulic mechanism** ensures smooth and quiet movement of the joints and provides a comfortable feeling for patients.

## Features



Unique low patient entry seat position along with a **200 kg patient lifting capability** is one of the most versatile chairs in the market place.

## Color variations

The colors come in four themes: warm, cool, earth and vitamin. Any choices from these leather colors should match the interior appointments of your clinic. The upholstery can be chosen from seam, seamless and luxury type.



### [ Seam & Seamless ]

|               |             |                 |              |              |            |           |
|---------------|-------------|-----------------|--------------|--------------|------------|-----------|
| Warm Color    |             |                 |              |              |            |           |
|               | Coral Pink  | Light Pink      | Beige        | Camel        | Bordeaux   | Black     |
| Cool Color    |             |                 |              |              |            |           |
|               | Mint Blue   | Indigo Blue     | Light Blue   | Purple       | Light Gray | Gray Teal |
| Earth Color   |             |                 |              |              |            |           |
|               | Rose        | Mauve           | Forest       | Aldo Blue    | Ash Gray   | Chocolate |
| Vitamin Color |             |                 |              |              |            |           |
|               | Scarlet Red | Mandarin Orange | Lemon Yellow | Yellow Green | Sky Blue   | Blue      |

### [ Luxury ]

|                |           |        |               |        |       |
|----------------|-----------|--------|---------------|--------|-------|
|                |           |        |               |        |       |
| Black          | Dark Blue | Maroon | England Green | Orange | Camel |
|                |           |        |               |        |       |
| Mustard Yellow | Ivory     |        |               |        |       |

## CLESTA II UNIT

### Compact unit supports versatile treatment styles

- Programmed micromotor setting ( E Type )
- Programmed scaler setting ( E Type )
- Doctor preset setting for 4 groups of combination
- Large operator's table
- Light: EURUS LIGHT  
900 LED LIGHT  
300 LED LIGHT

Unit : CLESTA II Holder Type  
Chair : CLESTA II ( EURUS Type )  
Light : EURUS LIGHT



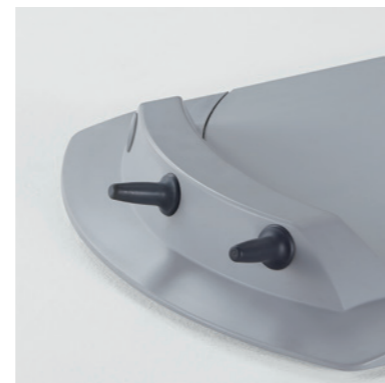
### Double articulating headrest

The precise positioning of the headrest can be set in **7.5 degree increments** accommodating a wide range of patient types. The height adjustment for taller patients can be easily positioned with **very little effort** from the operator.



### Rotating armrest

The armrests are designed with a length and shape that makes it easy for patients to hold and the **side-rotating mechanism** helps elderly patients mount and dismount the chair with ease.



### Chair stick switch

The dental chair can be entirely manipulated in a **hands-free**, hygienic and intuitive manner using only the operator's foot ( patent pending ).