

## Premium LCD touchscreen sub-controller



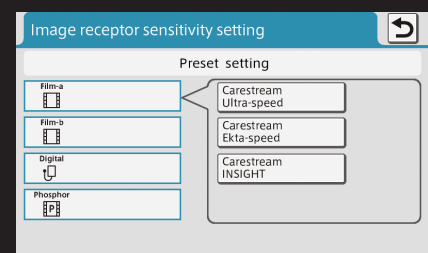
### Intuitive and easy selection

Intuitive and easy selection of tooth type, cone type, film / digital modes, film speed, kV, mA and patients size.

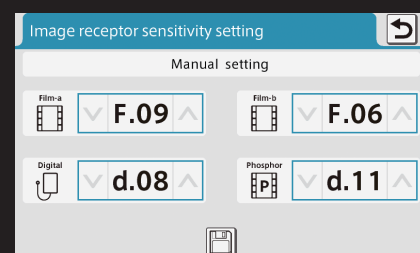
### Customizable LCD display view

LCD display view can be customized for operator preference. Built-in USB side port enables operators to import personalized screen saver photographic images or dental practice / doctor's name for practice identification and branding.

### Sensitivity setting

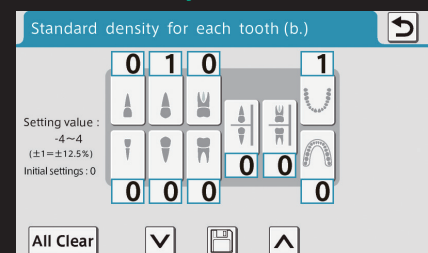


Select your image receptor on the screen, then suitable sensitivity setting will be selected from 16 steps automatically.



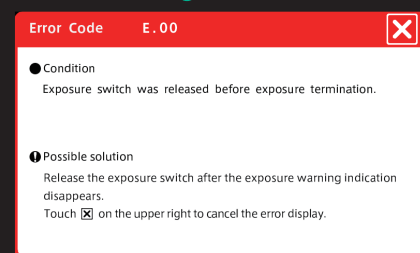
If the darker (or lighter) radiographs are preferred, the sensitivity setting can be adjusted manually.

### Tooth density



Tooth density ratio settings can be adjusted from the default setting for each tooth.

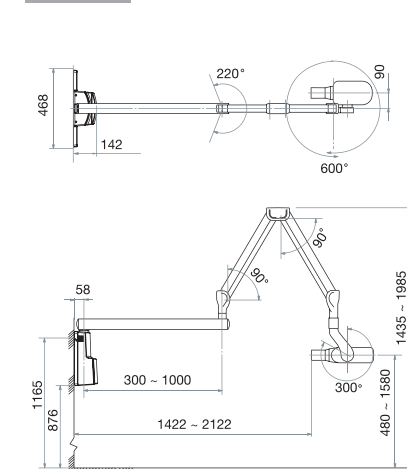
### Error message troubleshooting



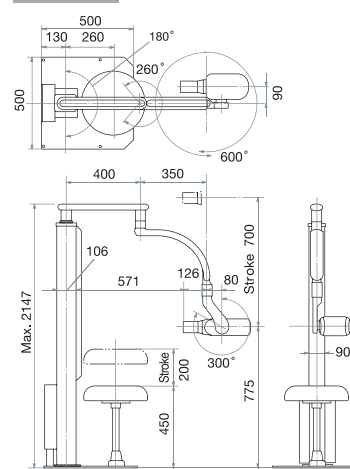
If the X-ray should encounter any abnormal conditions, an error message will be displayed on the LCD sub-controller screen as well as the suggested troubleshooting solution for the abnormal condition.

## Dimensions

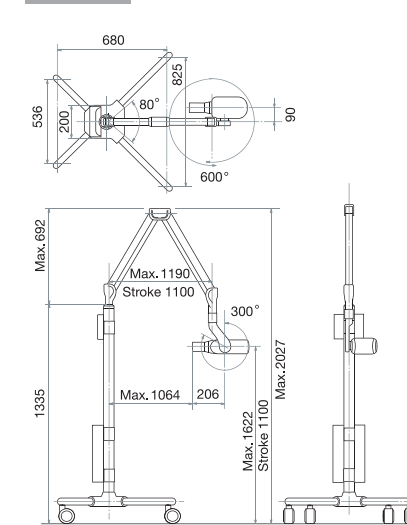
WK Type



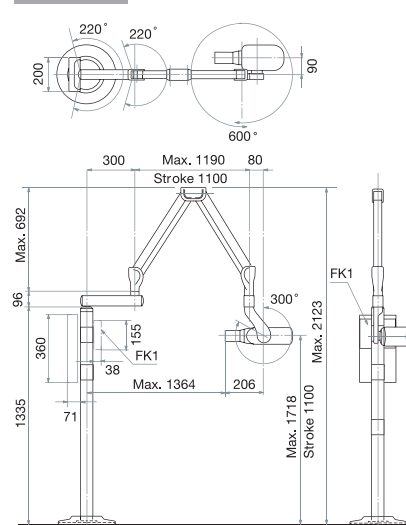
RK Type



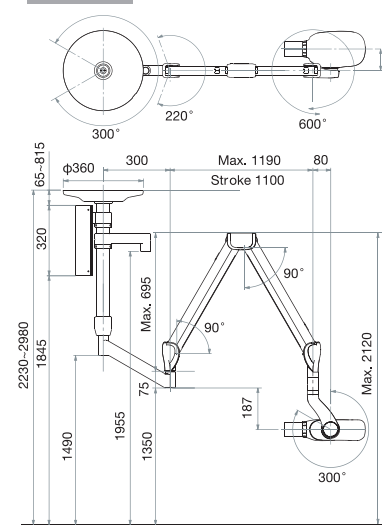
FM Type



FK1 Type



CK Type



Nominal focal spot value	0.4 (IEC 60336)	
Rated tube potential	60 kV / 70 kV (selectable)	
Rated tube current	3 mA / 6 mA (selectable)	
Rated line voltage	100 / 110 / 120 / 220 / 230 / 240 V AC 50 / 60 Hz	
Rated line current (at 70 kV / 6 mA)	- 11.0 A (100 V) - 6.4 A (220 V)	- 10.5 A (110 V) - 6.2 A (230 V)
Line voltage range	±10%	
Exposure time	0.01 to 2.0 sec.	
Total filtration	2.0 mmAl Equivalent at 70 kV	
Source to skin distance (SSD)	Short cone	203 mm
	Long cone (option)	305 mm
	Rectangular collimator (option)	SSD of cone + 40 mm
Duty cycle	1 : 30	
Half value layer	1.5 mmAl over	
Density preprogram	Film	16 programs
	Digital Sensor	16 programs

- Names of Components  
 Dental X-ray :PHOT-XIIS MODEL 505  
 :PHOT-XIIS 505  
 :PHOT-XIIs MODEL 505  
 :PHOT-XIIs 505  
 :PHOT-XIIs 505LCD  
 :PHOT-XIIs MODEL 505 WITH ACCESSORIES



# PHOT-X IIS

## DC Dental X-ray



## Reliable DC X-ray by Belmont

### Belmont's High Frequency Technology allows for

- High resolution image by a small focal spot
- Reduced skin dosage with optimum radiation level for every diagnostic need
- Easy to position compact tube head
- Ideal matching for digital imaging system

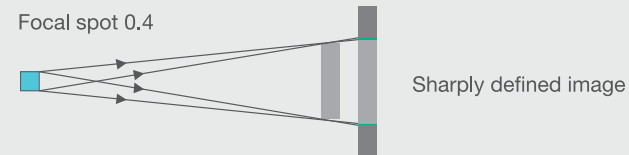
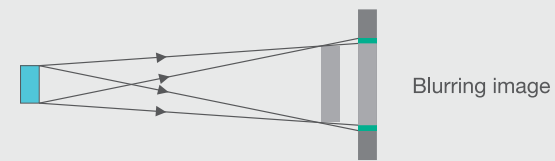


### Standard Sub-controller



## Features

Small 0.4 focal spot value for the sharpest image possible

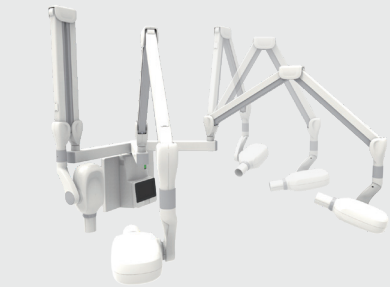


Easy to position compact tube head



The tube head is lightweight, compact and easy to hold. This enables the operator to align the tube head accurately every time.

Realization of slim and light arm



Light head, smooth movement

Our spring arm is designed to have a good balance with load and repulsive force at any position within the movable range and make it possible to make tube head stay at any point when the hands are released. Moreover, well balanced rigidity design helps to reduce the vibration of the tube head after positioning. These methods realize the smooth and easy positioning of the tube head.

Optimum radiation level for every patient

The operation is simple. Select patient type and tooth type, then press the exposure switch. The exposure time can also be adjusted manually. After the exposure, the radiation output can be displayed in the window.

Tube voltage selection

PHOT-XIIs provides 2 tube voltage settings to optimize imaging for specific purposes:

[60 kV Setting]

- Setting provides balanced contrast for general caries diagnostic imaging.
- Setting provides excellent definition and detail for periapical and bone structure diagnostic imaging.

[70 kV Setting]

- Setting provides excellent diagnostic imaging for periodontal disease examination.
- Setting provides a wider latitude and longer gray scale.

## Five types of installations

- WK Wall mounted type
- RK Room type with stool
- FM Mobile type with castors
- FK Floor mounted. Sub-controller can be installed on the pole (FK1) or on the wall (FK2)
- CK Ceiling mounted type. Dental light can be mounted on the pole as an option (CKL Type)



WK Type (Sub-controller can be mounted on the main controller or on the wall)



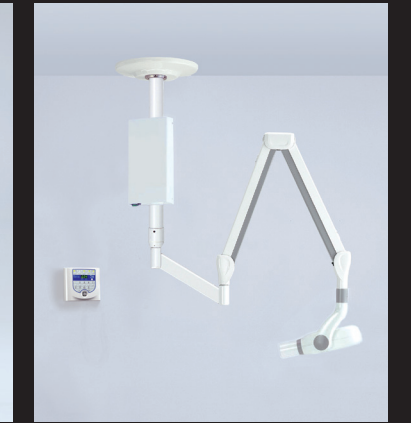
RK Type



FM Type



FK1 Type



CK Type

## Options

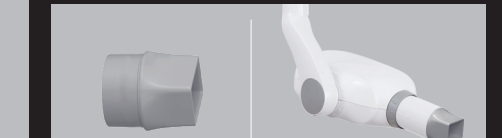
- Horizontal arm length of WK Type is selectable : 300 mm, 500 mm, 650 mm, 800 mm (standard) and 1000 mm
- Ceiling pole length of CK / CKL Type is selectable : 600 ~ 1350 mm
- Long cone (Short cone + Long cone collimator) for paralleling technique
- Rectangular collimator
- Hand exposure switch with coiled cord (Option for WK, RK, FK2 and CK. Standard for FM and FK1.)



CKL Type  
(Dental light is mounted on the pole)



Short cone + Long cone collimator



Short cone + Rectangular collimator



Hand exposure switch