

Dental Treatment Education Unit

Learn from our experience







Belmont have been a shining light in the dental manufacturing industry for over 60 years and our passion for perfecting the art of dentistry has never been clearer.

Our **knowledge** in the dental sector, designing and manufacturing technology-led, high quality and intuitive products, is second to none. Our **expertise** means we truly understand how treatment centres need to seamlessly integrate with dentists and clinicians workflow.

Our new education unit will enable students to learn from our experience.



Exemplary engineering and ease-of-use mean we are the brand of choice for thousands of dentists up and down the country.

Beyond Dental Learnington



EURUS S1/S3/S4
Over-the-patient delivery system



EURUS S6
Flagship, compact folding legrest



EURUS S8
Fully ambidextrous treatment centre



CLESTA II



CLESTA eIII



CREZIA G1



Our new education unit shares DNA with our most popular treatment centres - with proven reliability this **tried and tested** model is sold in volume and endorsed by hundreds of dentists and operators. Ease-of-use is paramount and our perfect working set-up is carried through and evident in the new education unit.

Belmont's innovations for dentistry continue at pace. Our design and manufacturing covers a range of products including intuitive treatment centres, a range of operating lights, X-Ray machines and a full complement of operator & assistant stools.

Operating lights



X-Ray machines



Operator & assistant stools



The perfect start to a great dental career

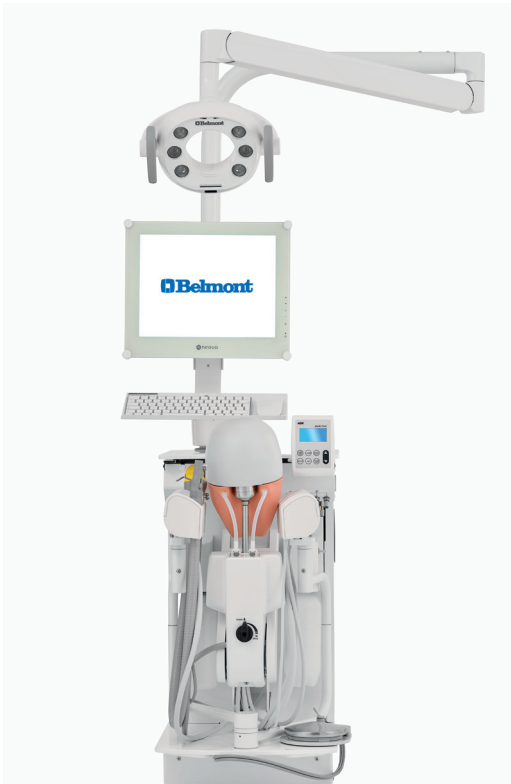
Learning dentistry, from one of the leaders in dental treatment centres, has never been easier. Students can start their career with an education unit specifically designed to equip them with the skills required in surgery.

Fully ambidextrous, our newly designed dental treatment education unit has a hard wearing gloss white finish, with all surfaces easily cleaned for hygiene and safety.

We'll help your students start their dental career left or right handed



* All can be positioned for left & right handed operators within minutes



The manikin can be adjusted into life-like positions by rotating from side to side, plus forwards and backwards.

With fully functioning assistant console, the vacuum instruments instantly switch on when lifted from the holder and switch off when returned.

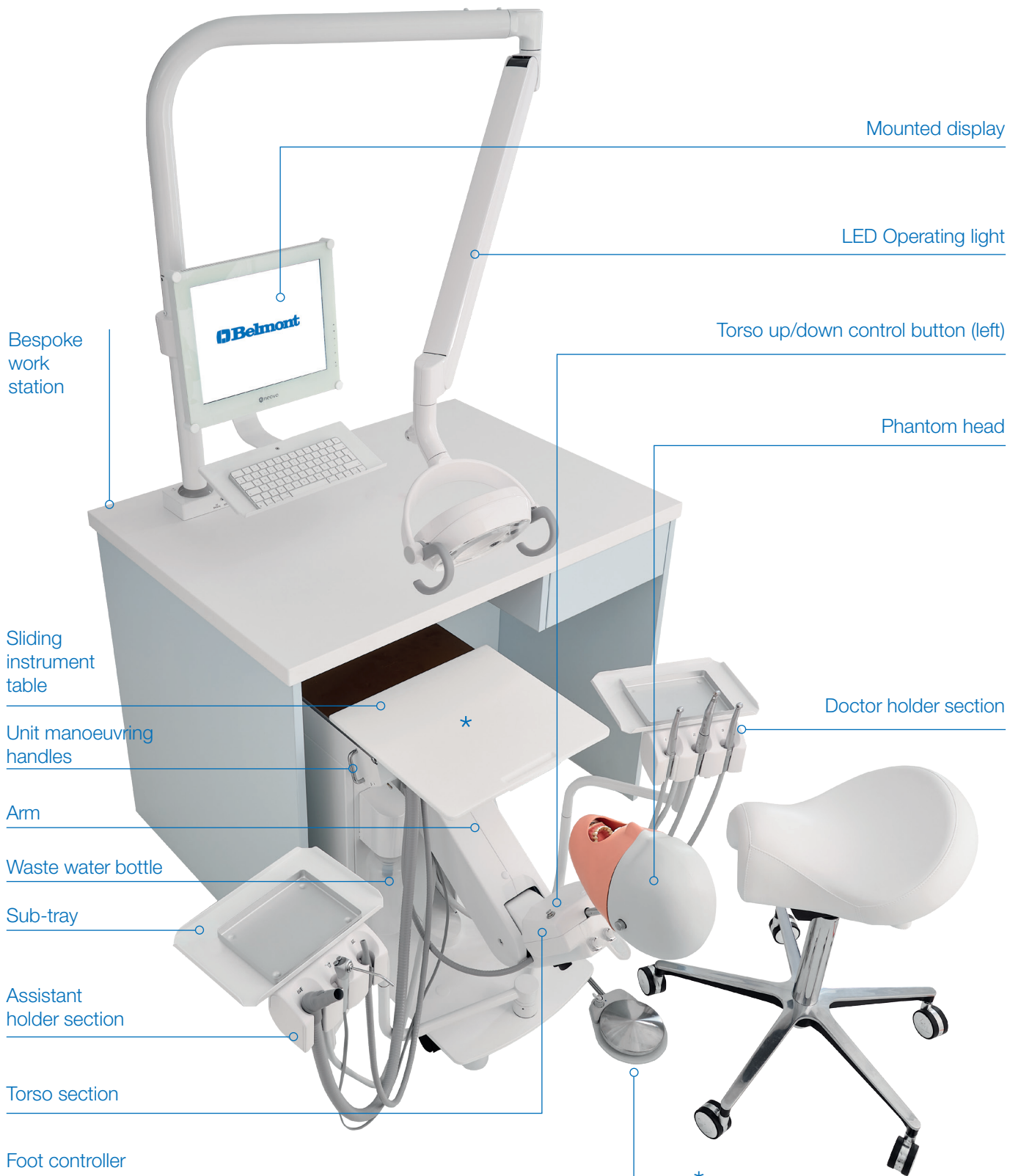


*
Represents over-the-patient instrument delivery

**
Represents base-mounted unit with round-the-patient delivery

A first-class dental training work station

Your patient, the manikin, can be easily adjusted and moved into life-like positions, rotating from side-to-side, forwards and backwards to gain optimum viewing and mouth access.

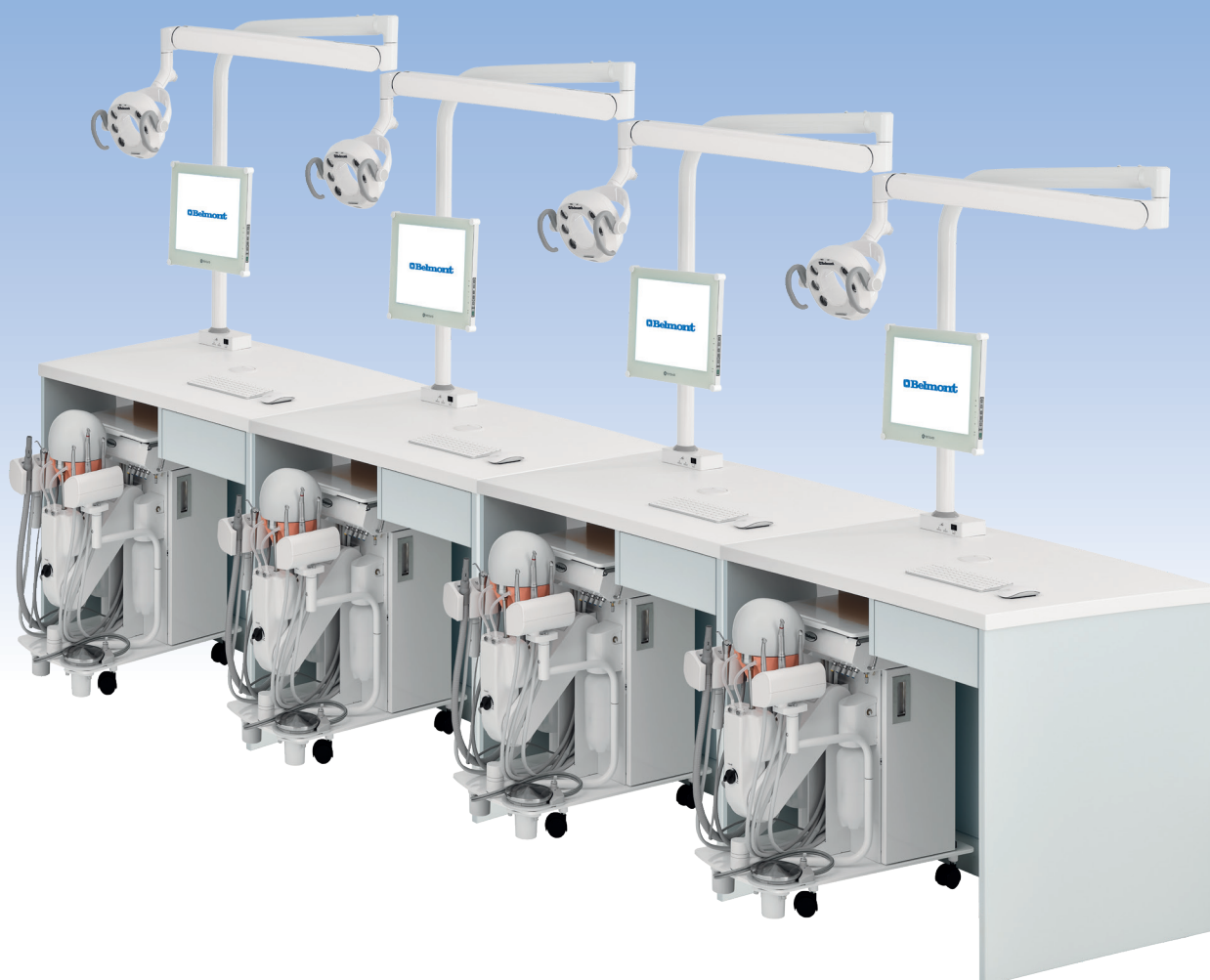


* With the sliding table-top fully extended, the mobile unit needs only minimal forward movement from under the work station to achieve the operators ideal working position. This saves space behind the operator stool, which frees up valuable isle space.

Balanced and thoughtfully designed, our training work station offers a perfect set-up to begin learning the world of dentistry.

Working together in formation, each unit can be packed away neatly allowing easy flow and access between rows.

We'll teach you
the perfect way
to start your
dental career



- > Compact and easily stored
- > Simple to use with Belmont DNA
- > Fully ambidextrous to suit left or right handed operators
- > Options include sub-trays, monitor mount, keyboard holder
- > Bespoke work station available as factory order
- > Built in options (see page 12)
- > Dental operating light at 34,000 Lux with removable cover and handles for cleaning
- > Vacuum solids collector to keep lines clear
- > Water flush-out system to clear unused water from all lines

We'll provide the future of dental education

Our system embraces a simple operating experience

Follow the instructions and demonstrations from the dental teacher with an on-screen monitor

Optional

Easily adjust the positioning of operating light, instruments and vacuum console bringing a life-like experience

Optional

A keyboard and monitor can be fitted to the lightpost

Optional

The manikin mask can be detached for cleaning purposes whilst vacuum hoses are also detachable for the utmost hygiene control

The increased surface area of the sliding table-top can be used to place portable micro-motors or scalers within easy reach of the operator

Writing table for note books and tablets

Optional

Book stand upright for work instructions or notes

Optional

Tough, gloss white finish to the main body of the education unit maintains hygiene standards

Easy to read pressure monitoring gauges

Area to mount computer keeping all cables to a visible minimum

Cupboard door giving access to storage area with adjustable shelf

Our doctor console operates like every Belmont dental unit, simply lift your chosen instrument from the holder and lightly press down on the foot controller to activate - lift off to stop

Tidy, comfortable work station

The design of our education unit allows for super-compact and very tidy stored positioning. The foot controller can be placed on the base plate, allowing easy and hygienic floor cleaning.



Engineering excellence

In summary, our quick reference guide below lists the key specification points:

Mobile: Belmont EG-01M and Stationary: Belmont EG-01S Types

Standard Configuration:

- 3 Handpiece outlets with individual air & water control
- 3-Way syringe
- Bien Air Fibre Optic Kit (including upto 3 turbine hoses)
- Detachable high-volume evacuator and saliva ejector
- Handpiece water line flush-out system
- Handpiece oil mist collector
- Vacuum line solids collector
- Vacuum supply to manikin with power control
- Bottled clean water system with on/off switch
- Waste water collection bottle
- Quick disconnect Air & Water supply with flow control
- Foot control with water on/off switch
- Pressure gauges for air and water
- Service centre with air filter regulator
- Electrical components compartment with fuses
- Two handles for easy manoeuvrability

Functionality:

- Easy switch-over for left and right-handed operators
- Manikin rotates left and right for life-like treatment
- Torso with pneumatic up/down movement push button control
- Detachable manikin mask, for cleaning
- Vacuum auto on/off when instrument is lifted from and returned to holder
- Extending instrument arm for operator comfort
- Extending tabletop for additional operator working surface
- Instrument operating touch-pad moves forward & back with extendable table top
- Extending vacuum arm for operator comfort
- Easily accessed & detachable solids collector filter
- Fibre-optic switch on/off
- Easy access to operating valves (for servicing)
- Four castors and two handles for unit moveability (mobile type)
- Adjustable double shelf storage cupboard for instruments
- Quick vacuum connect/disconnect to manikin
- Cabinet or Unit mounted dental light systems
- Slide-out electrical compartment with easy access for technician

Options:

- Additional sub-tray (vacuum side)
- Additional sub-tray (doctor side)
- Writing table on movable arm (only available if light post is fitted)(Stationally type only)
- Book stand attachment for writing table (Stationally type only)
- Monitor mount & post mount bracket (only available if light post is fitted)
- Horizontal extension arm 430mm for monitor mount (Stationally type only)
- Computer keyboard holder(Stationally type only)
- Third hand instrument holder assembly
- HVE with ball joint for greater ease of operation
- Bracket for Satelec 617/Soprocure camera holder

Built-in Options:

- Bien Air Optima MX II LED micro motor, fibre-optic turbine hose & touch pad
- NSK NLX-Plus fibre-optic micro motor, turbine hose & multipad
- NSK Varios 170 Lux Scaler with multipad
- NSK Varios 170 non-optic scaler with multi pad
- Satelec Newtron LED Scaler with control pad
- Satelec Newtron Scaler with control pad



Phantom head access



NSK - Multi Pad for motor, fibre-optic and scaler control



Dental light main switch and manual / sensor control

Focus on the details and you'll understand why our Belmont Dental Education Unit presents a highly credible and intuitive asset into the world of dentistry.



Perfect instrument positioning



Removable vacuum solids collector



Bien Air Optima Touch Pad



Torso up/down button (Right side button allows torso angle adjustment)



Air and water pressure gauges



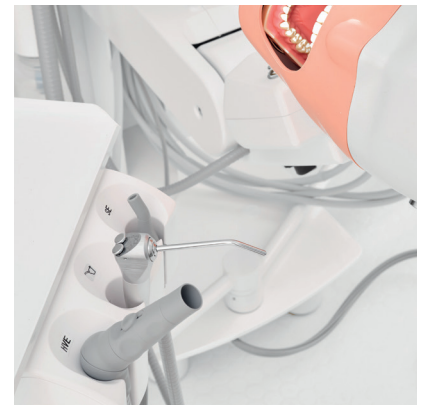
Clean water bottle pressure on/off switch



Syringe and hand piece waterline control regulators



Storage cupboard with adjustable shelf



Optimum vacuum instrument positioning

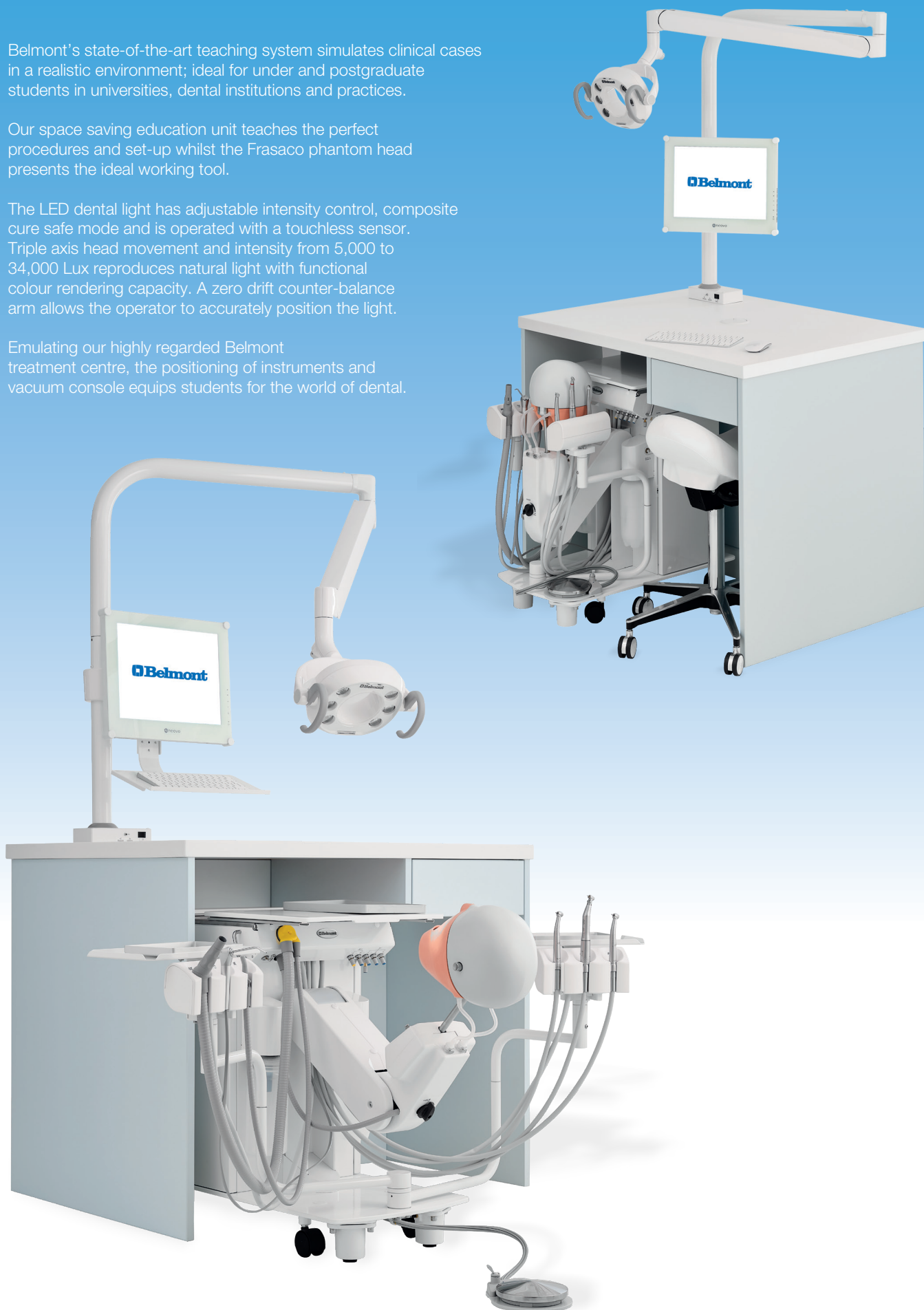
Equipped for your future

Belmont's state-of-the-art teaching system simulates clinical cases in a realistic environment; ideal for under and postgraduate students in universities, dental institutions and practices.

Our space saving education unit teaches the perfect procedures and set-up whilst the Frasaco phantom head presents the ideal working tool.

The LED dental light has adjustable intensity control, composite cure safe mode and is operated with a touchless sensor. Triple axis head movement and intensity from 5,000 to 34,000 Lux reproduces natural light with functional colour rendering capacity. A zero drift counter-balance arm allows the operator to accurately position the light.

Emulating our highly regarded Belmont treatment centre, the positioning of instruments and vacuum console equips students for the world of dental.



Testimonials

Exactly what our customers say about us constantly inspires and motivates every Belmont employee. Practice owners and dentists write first class testimonials about the quality, reliability, attention to detail and technology-first approach. Alongside our warranties and after sales servicing, our brand is hard to beat.

We're proud of our endorsements and have transferred all this feedback and knowledge into our new education unit.



“I’m a huge fan of Belmont chairs - the design, comfort and features take them to the next level”

**Dr Linda Greenwall -
Prosthodontist & Cosmetic,
Restorative Dentist
Dr Linda Greenwall &
Associates**

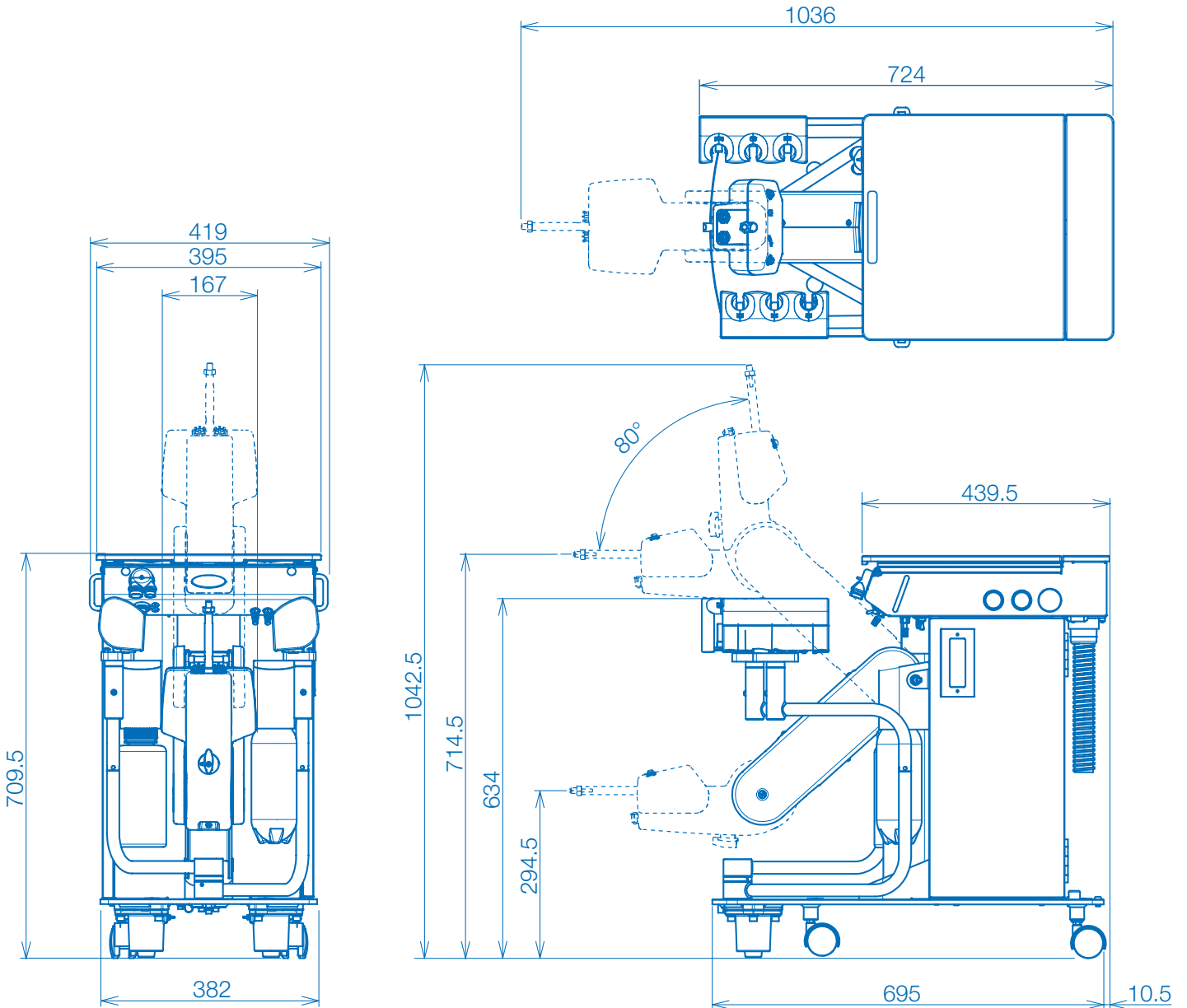
“The EURUS S1 best suited my delivery method...the touchscreen control panel is very easy to use...the design is comfortable, ergonomic & efficient”

**Dr Sandeep Rupra -
Honeyfields Dental, Wales**



Dimensions **Mobile Type**

(Figures shown in mm)



Belmont EG-01M Mobile Education Unit

Up to 3 fibre optic turbine hoses

EURUS LIGHT unit mounted (34,000 Lux) Optional

Light-post assembly + fitting kit Optional

Phantom head Frasaco P-6/3 with interchangeable articulator P-3 Optional
(complete with face mask P-6 GMN2L)

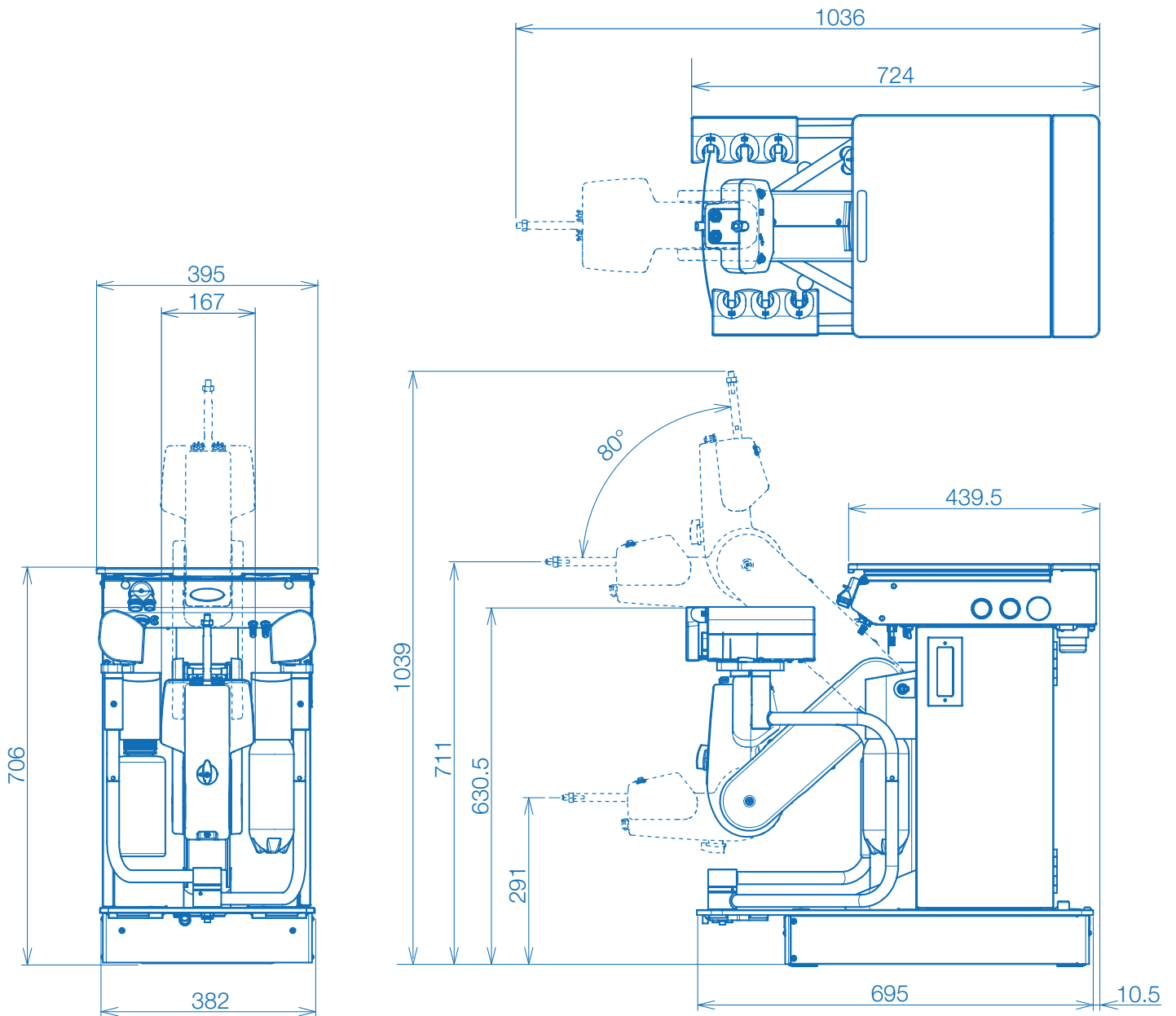
Phantom head Frasaco PK-2 with simulation articulator Optional
(complete with face mask P-6 GMN2L)

Face mask (with two holes for drainage) P-6 GMN2L, fits both heads Optional



Dimensions **Stationary Type**

(Figures shown in mm)



Belmont EG-01S Stationary Education Unit

Up to 3 fibre optic turbine hoses

EURUS LIGHT unit mounted (34,000 Lux) Optional

Light-post assembly + fitting kit Optional

Phantom head Frasco P-6/3 with interchangeable articulator P-3 Optional
(complete with face mask P-6 GMN2L)

Phantom head Frasco PK-2 with simulation articulator Optional
(complete with face mask P-6 GMN2L)

Face mask (with two holes for drainage) Optional
P-6 GMN2L, fits both heads





Follow Us

