

# Dental Treatment Education Unit

---

Learn from our experience



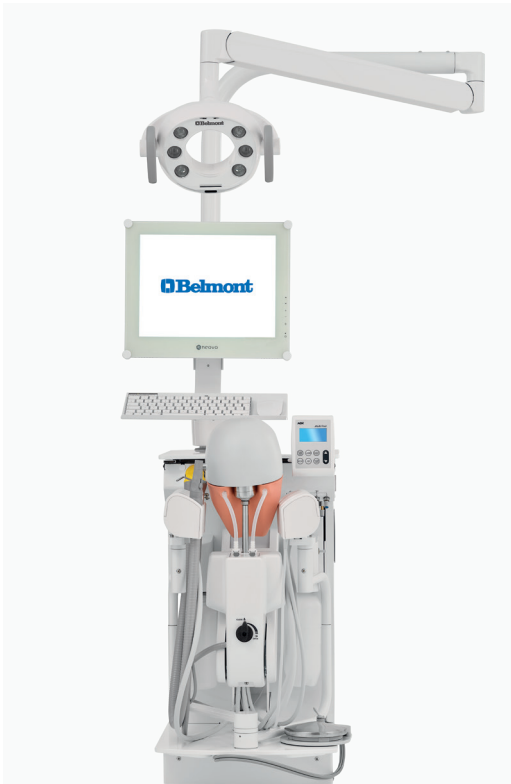


Belmont have been a shining light in the dental manufacturing industry for over 60 years and our passion for perfecting the art of dentistry has never been clearer.

Our **knowledge** in the dental sector, designing and manufacturing technology-led, high quality and intuitive products, is second to none. Our **expertise** means we truly understand how treatment centres need to seamlessly integrate with dentists and clinicians workflow.

Our new education unit will enable students to learn from our experience.





All can be positioned for left & right handed operators within minutes

The torso can be adjusted into life-like positions by rotating from side to side, plus forwards and backwards.

With fully functioning assistant console, the vacuum instruments instantly switch on when lifted from the holder and switch off when returned.



# Equipped for your future

Belmont's state-of-the-art teaching system simulates clinical cases in a realistic environment; ideal for under and postgraduate students in universities, dental institutions and practices.

Our space saving education unit teaches the perfect procedures and set-up whilst the phantom head presents the ideal working tool.

The LED dental light has adjustable intensity control, composite cure safe mode and is operated with a touchless sensor. Triple axis head movement and intensity from 5,000 to 34,000 Lux reproduces natural light with functional colour rendering capacity. A zero drift counter-balance arm allows the operator to accurately position the light.

Emulating our highly regarded Belmont treatment centre, the positioning of instruments and vacuum console equips students for the world of dental.

Follow the instructions and demonstrations from the dental teacher with an on-screen monitor

Easily adjust the positioning of operating light, instruments and vacuum console bringing a life-like experience

Optional

A keyboard tray and monitor bracket can be fitted to the lightpost

Optional

The Phantom head mask can be detached for cleaning purposes whilst vacuum hoses are also detachable for the utmost hygiene control

Our doctor console operates like every Belmont dental unit, simply lift your chosen instrument from the holder and lightly press down on the foot controller to activate - lift off to stop

Optional

The increased surface area of the sliding table-top can be used to place portable micro-motors or scalers within easy reach of the operator

Writing table for note books and tablets

Optional

Book stand upright for work instructions or notes

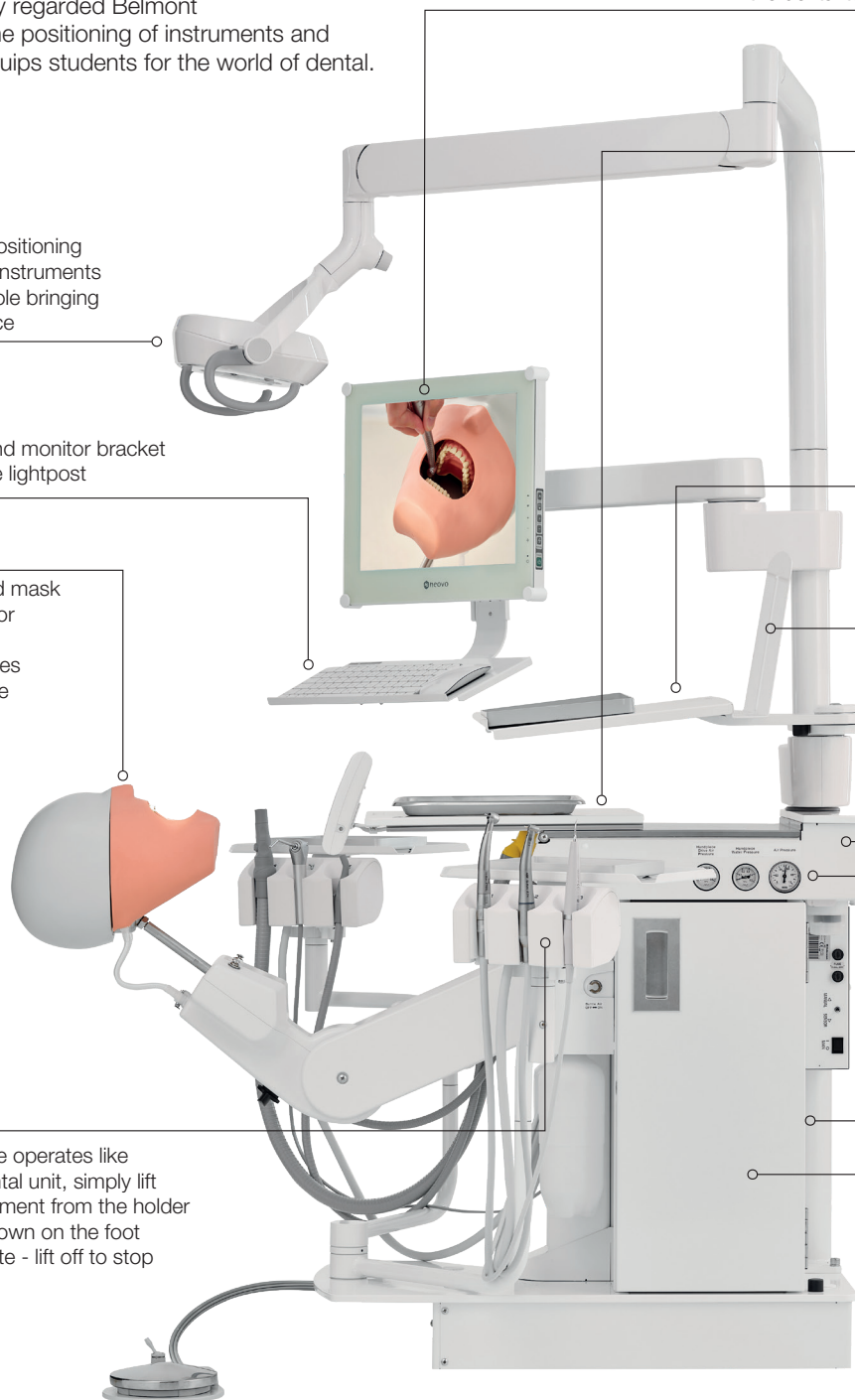
Optional

Tough, gloss white finish to the main body of the education unit maintains hygiene standards

Easy to read pressure monitoring gauges

Area to mount computer keeping all cables to a visible minimum

Cupboard door giving access to storage area with adjustable shelf

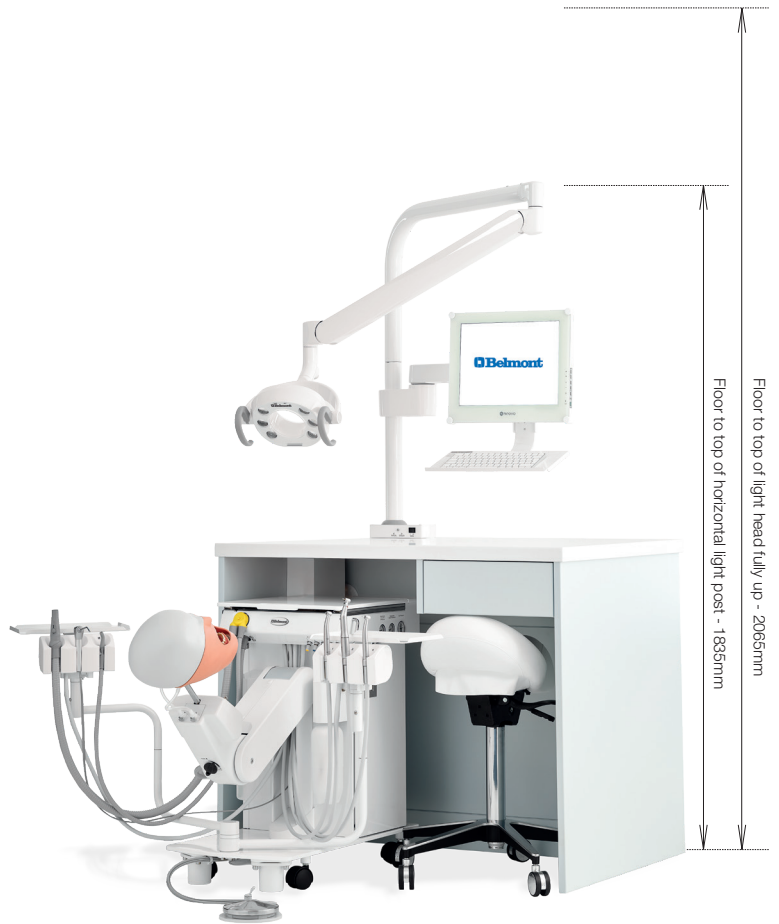


**Belmont EG-01M Mobile Education Unit**

Up to 3 fibre optic turbine hoses

EURUS LIGHT unit mounted (34,000 Lux) Optional

Light-post assembly + fitting kit Optional



**Belmont EG-01S Stationary Education Unit**

Up to 3 fibre optic turbine hoses

EURUS LIGHT unit mounted (34,000 Lux) Optional

Light-post assembly + fitting kit Optional



# Engineering excellence

In summary, our quick reference guide below lists the key specification points:

<b>Standard Configuration:</b>	<b>Mobile type Belmont EG-01M</b>	<b>Stationary type Belmont EG-01S</b>
3 Handpiece outlets with individual air & water control	●	●
3-Way syringe	●	●
Detachable high-volume evacuator and saliva ejector	●	●
Handpiece water line flush-out system	●	●
Handpiece oil mist collector	●	●
Vacuum line solids collector	●	●
Intraoral suction with power control	●	●
Bottled clean water system with on/off switch	●	●
Waste water collection bottle	●	●
Quick disconnect Air & Water supply with flow control	●	●
Foot control with water on/off switch	●	●
Pressure gauges for air and water	●	●
Service centre with air filter regulator	●	●
Electrical components compartment with fuses	●	●
Two handles for easy manoeuvrability	●	●
<b>Functionality:</b>		
Easy switch-over for left and right-handed operators	●	●
Phantom head rotates left and right for life-like treatment	●	●
Torso with pneumatic up/down movement push button control	●	●
Detachable phantom head mask, for cleaning	●	●
Vacuum auto on/off when instrument is lifted from and returned to holder	●	●
Extending instrument arm for operator comfort	●	●
Extending tabletop for additional operator working surface	●	●
Instrument operating touch-pad moves forward & back with extendable table top	●	●
Extending vacuum arm for operator comfort	●	●
Easily accessed & detachable solids collector filter	●	●
Fibre-optic switch on/off	●	●
Easy access to operating valves (for servicing)	●	●
Four castors and two handles for unit moveability	●	●
Adjustable double shelf storage cupboard for instruments	●	●
Quick vacuum connect/disconnect to phantom head	●	●
Cabinet or Unit mounted dental light systems	●	●
Slide-out electrical compartment with easy access for technician	●	●
<b>Options:</b>		
Additional sub-tray (vacuum side)	●	●
Additional sub-tray (doctor side)	●	●
Writing table on movable arm (only available if light post is fitted)		●
Book stand attachment for writing table		●
Monitor mount with 430mm horizontal extension arm (only available if light post is fitted)	●	●
Monitor mounr without extension arm (only available if light post is fitted)	●	
Keyboard tray (only available if monitor bracket is selected)	●	●
Third hand instrument holder assembly	●	●
HVE with ball joint for greater ease of operation	●	●
Bracket for Satelec 617/Soprocure camera holder	●	●
<b>Built-in Options:</b>		
Bien Air Optima MX II LED micro motor, fibre-optic turbine hose & touch pad	●	●
NSK NLX-Plus fibre-optic micro motor, turbine hose & multipad	●	●
NSK Varios 170 Lux Scaler with multipad	●	●
NSK Varios 170 non-optic scaler with multi pad	●	●
Satelec Newtron LED Scaler with control pad	●	●
Satelec Newtron Scaler with control pad	●	●

Focus on the details and you'll understand why our Belmont Dental Education Unit presents a highly credible and intuitive asset into the world of dentistry.



Phantom head access



Perfect instrument positioning



Removable vacuum solids collector



Bien Air Optima Touch Pad



NSK - Multi Pad for motor, fibre-optic and scaler control



Torso up/down button (Right side button allows torso angle adjustment)



Air and water pressure gauges



Clean water bottle pressure on/off switch



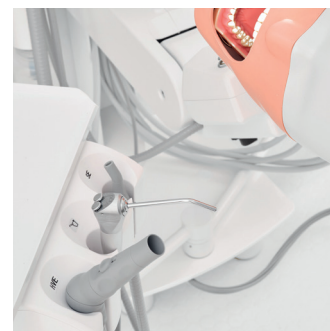
Dental light main switch and manual / sensor control



Syringe and hand piece waterline control regulators



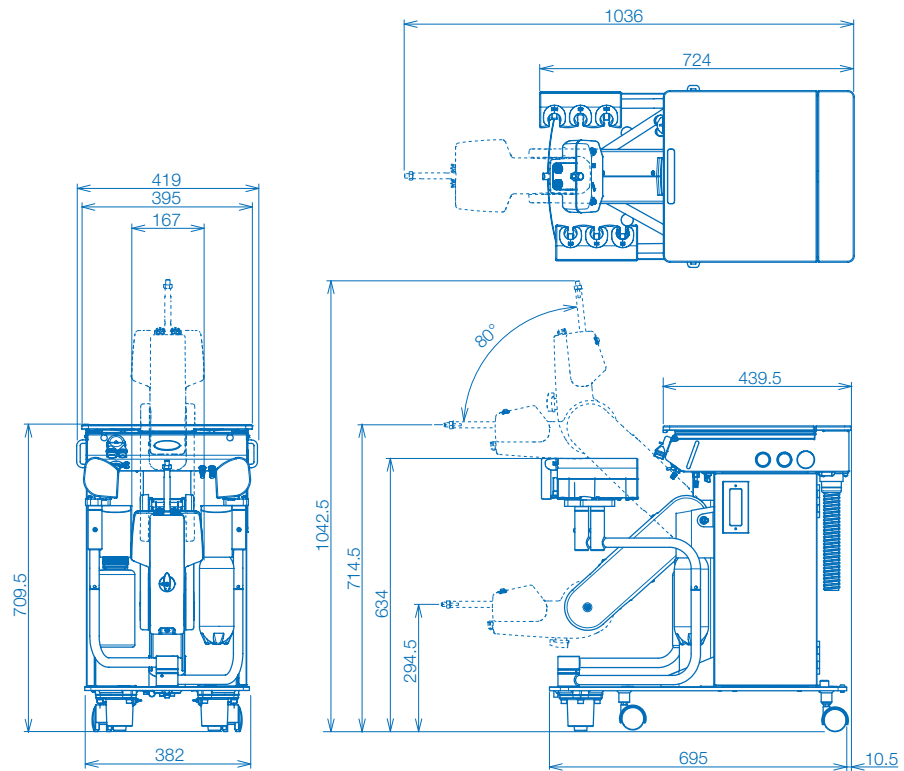
Storage cupboard with adjustable shelf



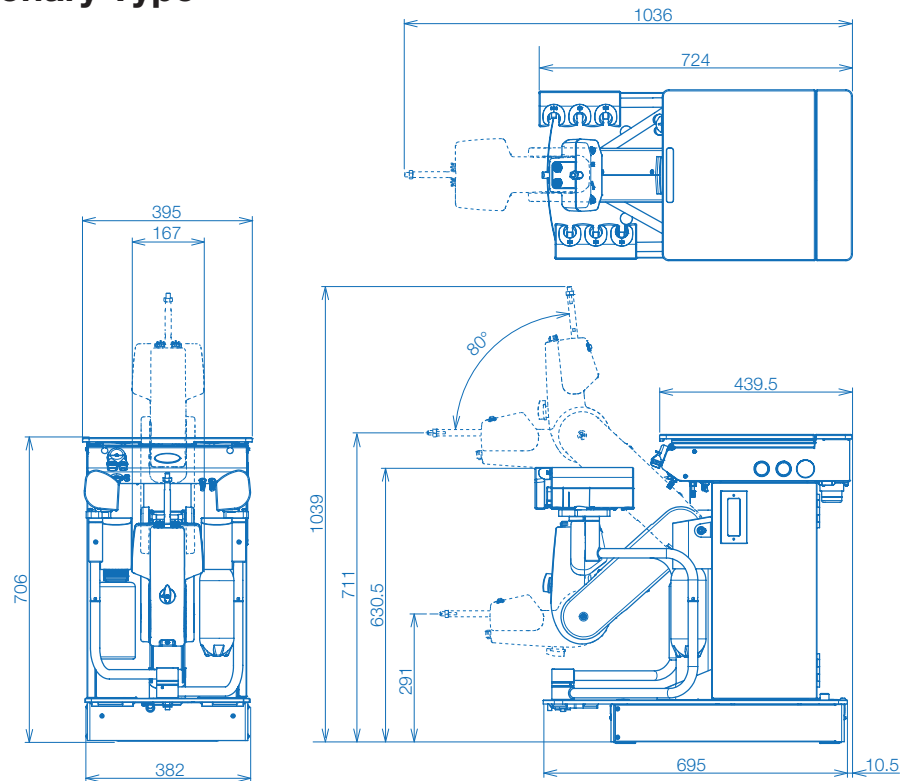
Optimum vacuum instrument positioning

## Dimensions **Mobile Type**

(Figures shown in mm)



## Dimensions **Stationary Type**



Follow Us

