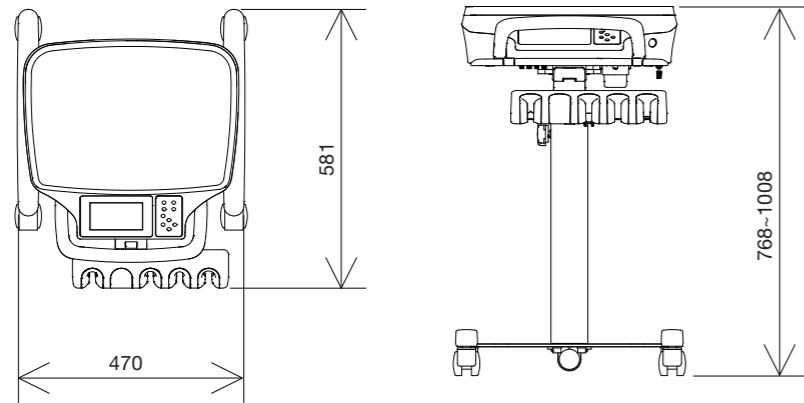


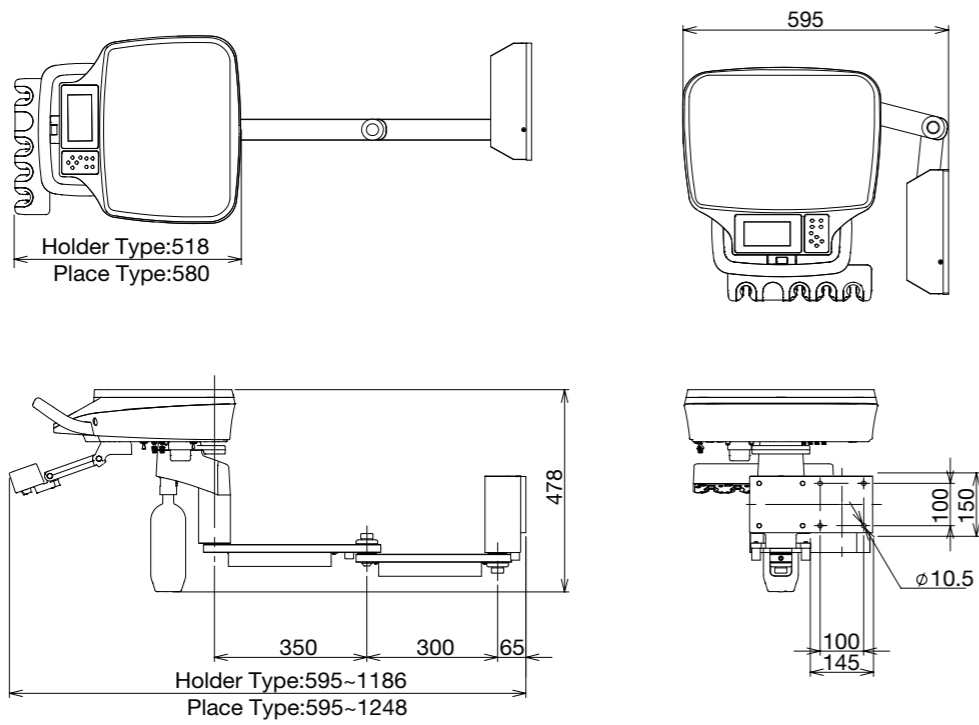
Dimensions

Size (mm)

STAND ALONE CART



CABINET DELIVERY



EURUS

STAND ALONE CART & CABINET DELIVERY



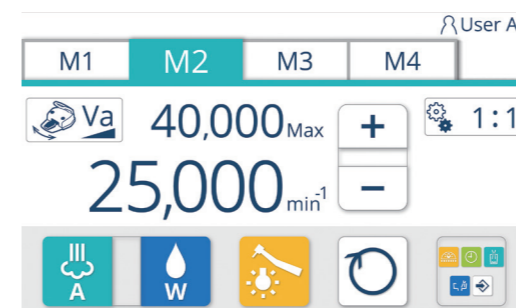


Handle suited for touch-panel operation

The handle is designed not only for an easy grab-and-move motion but also for providing a resting position for the hand to reduce stress and ensure reliable touch-panel operation.

STAND ALONE CART

- The height is adjustable from 768 to 1008mm.
- Dentists can operate it flexibly.
- It can be placed at suitable position for each dentist.



Motor

The setting screen for handpiece motors, which is capable of storing four different settings, allows for intuitive operation. RPM, torque and rotational direction can be chosen with a single touch of the screen.

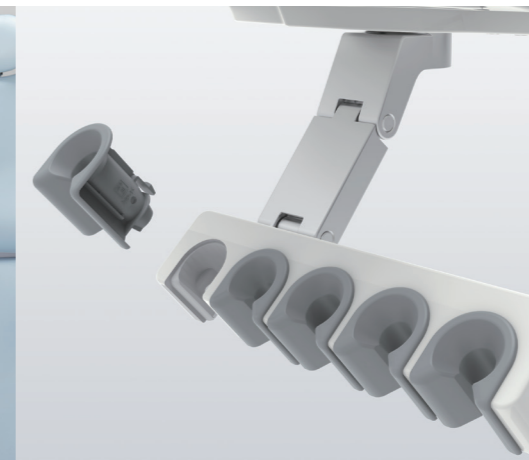


Scaler

From the handpiece setting screen, the treatment modes (periodontal, root canal and scaling) can be chosen with a single touch of the screen.

CABINET DELIVERY

- It can be attached to the cabinet.
- It allows the doctor table to be moved with only a minimum of effort.
- It is capable of reaching patients flexibly and easily.



Autoclavable holder Option

The dentist outlets can be autoclaved and detached for cleaning.



Water bottle Option

Clean water is easily accessible for handpieces via a water bottle.