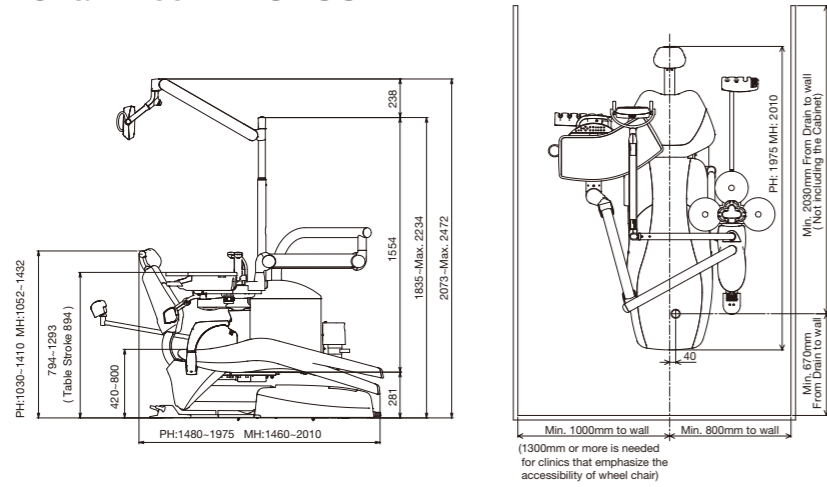


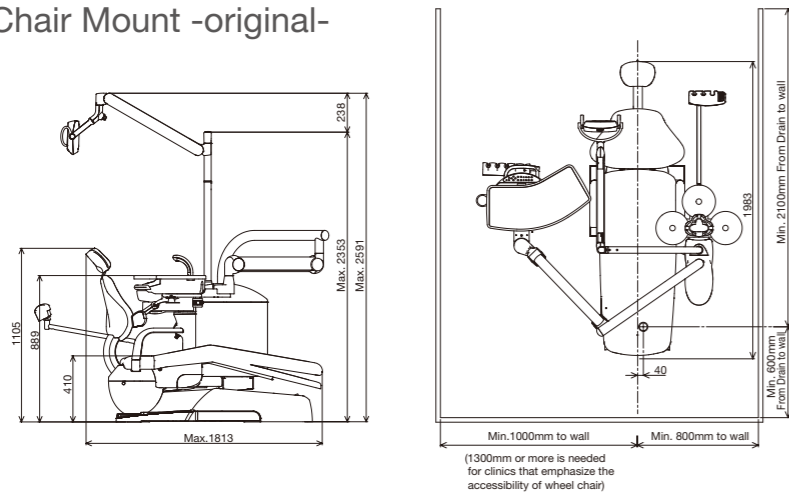
Dimensions

size(mm)

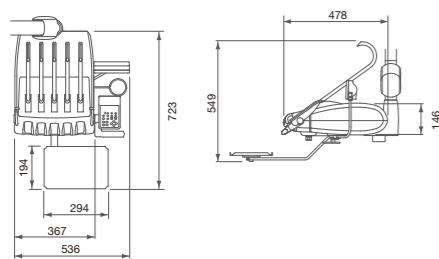
Chair Mount -EURUS TYPE-



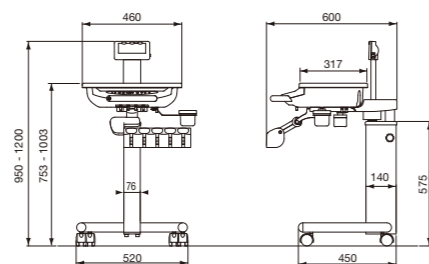
Chair Mount -original-



Rod Type



Cart Type



CLESTA II



- Names of Components
- Dental Unit : CLESTA II
 - : CELEB
 - Dental Chair : CLESTA II CHAIR
 - : CELEB CHAIR
 - : CLESTA II CHAIR (EURUS TYPE)
 - : CELEB CHAIR (EURUS TYPE)
 - Dental Light : EURUS LIGHT
 - : 900 Dental Light (Type 920/Type D200)
 - : 300 Dental Light (Type 320S)



Smooth and Contoured - provides patient's comfort



Shown as
 -Unit : CLESTA II
 -Chair : CLESTA II CHAIR (EURUS TYPE)
 -Light : EURUS LIGHT

Chair Mount -EURUS TYPE-

Over the Patient Cart

Traditional over the patient type unit offers versatile, balanced and precise delivery systems providing total working comfort between the 9 and 1 o'clock positions. The improved comfort of EURUS chair is an ideal base on which to build your dental system.



EURUS type/Cart



Unique low patient entry seat position along with a 200 kg patient lifting capability is one of the most versatile chairs in the market place.



Twin-axis headrest

The precise positioning of the headrest can be set in 7.5 degree increments accommodating a wide range of patient types. The height adjustment for taller patients can be easily positioned with very little effort from the operator.



Rotating armrest

The armrests are designed with a length and shape that makes it easy for patients to hold and the side-rotating mechanism helps elderly patients mount and dismount the chair with ease.



Chair stick switch

The dental chair can be entirely manipulated in a hands-free, hygienic and intuitive manner using only the operator's foot (patent pending).

Variations - to suit your requirements

Chair Mount -original-

Over the Patient

Over-patient versatility for comfortable single- and four-handed working positions. Ergonomic and hygienic features are standard on all CLESTA II treatment centres.

Shown as
-Unit : CLESTA II
-Chair : CLESTA II CHAIR
-Light : 900 LED LIGHT



Adjustable chair positioning

A wider range of movements offers a practical working environment that meets all the operators' requirements.



Axis backrest

Synchronized axis backrest ensures optimum patient comfort at all times. Ultra slim backrest for ease of access for both operator and assistant.

Chair Mount -original-

Cart

The split cart type, with a steel formed height-adjustable 'U' frame, offers space-saving qualities and additional flexibility.

4.5m or 6m cart hose available as an optional extra.

Shown as
-Unit : CLESTA II
-Chair : CLESTA II CHAIR



Durable diecast base

The sleek styling of the durable aluminum diecast base offers the dentist improved access with maximum chair stability.



Service centre

The built in service centre eliminates the use of external umbilical hoses.

Details

⊙ Selectable | - Not available

Chair	Doctor unit		Cuspidor unit	Light			
	Over the Patient	Cart	Chair Mount	D200	900	EURUS	300
EURUS TYPE	⊙	⊙	⊙	⊙	⊙	⊙	-
original	⊙	⊙	⊙	⊙	⊙	-	⊙

Intuitive Control - technology you can rely on

E Type Electric Type Control Panel



- | | | | |
|-------------------------------|---------------------------------------|----------------------------------|------------------------|
| 1 Power Indicator | 5 Micromotor Speed Setting Switch | 9 Decreasing Switch | 13 Cupfiller Switch |
| 2 Safety Lock Indicator | 6 Micromotor Direction Control Switch | 10 Increasing Switch | 14 Bowl Flush Switch |
| 3 Coolant Water ON/OFF Switch | 7 Function Switch | 11 Chair Auto Mode Switches | 15 Dental Light Switch |
| 4 Light Pack Switch | 8 Store Switch | 12 Chair Manual Control Switches | 16 Function Indicator |

Function Switch (E Type)

- | | | | |
|----------------------------------------------|----------------------------------------------------------------------------------------------------------------------------------------|----------------------------------------------|--------------------------------------------------------------------------------------------------------------------------------------------------|
| TIMER SET
↓=START | Timer
Timer set for alarm. | ALARM TYPE=0 F=↓
PUSH 0 1 2 LP (3) | Electronic sound for timer
4 electronic timer sounds to choose from. |
| Dr. NUMBER =0 ↓ | Group selection mode
Preset position for chair and preset rotation speed for micromotor can be set for 4 individual dentist. | M.LMT=3 STEP F=↓
(-)=3 (+)=5 STEP | Micromotor maximum speed setting (optional)
The maximum rotation speed of the micromotor can be selected in 3 steps or 5 steps. |
| FLUSH OUT F=↓
WITHOUT | Flushing system
The E type is available with a short and long time flushing system. | SPRAY=4MODE F=↓
(-)=2 (+)=4 MODE | Coolant water ON / OFF switch
When using micromotor(s), either 2-mode or 4-mode of coolant water can be selected by mode select setup. |
| Beep=ON F=↓
(-)=OFF (+)=ON | Control panel switching sound ON / OFF
Sound can be deactivated. | B*6=LINK F=E
(-)=IND (+)=LINK | Cupfiller and bowl flush
Select cupfiller and bowl flush to operate together or independently. |
| LP MODE=HOLD F=↓
(-)=FOOT (+)=HOLD | Fiber optic handpiece lighting mode (optional)
Handpiece lighting mode can be chosen. | | |

Digital Indicator (E Type)

- | | | | |
|----------------------------------------|----------------------------------------------------------------------------------------------------------------------------------------------------------|--------------------------------|---------------------------------------------------------------------------------------------------------------------------------|
| No1 SET1 100
10000rpm | Micromotor mode
The micromotor rotation speed can be selected by sliding the foot controller pedal right or left. Rotation speed is displayed. | No4 SCALING
■■■■■■■■ | Scaler mode
Easy to confirm which mode of scaling has been selected (scaling, end, perio). Power output is displayed. |
|----------------------------------------|----------------------------------------------------------------------------------------------------------------------------------------------------------|--------------------------------|---------------------------------------------------------------------------------------------------------------------------------|

A Type Air Type Control Panel

Membrane switches for chair controls and other necessary functions are clearly situated on the control panel of the operator's table.

- | | |
|---------------------------------|---------------------|
| 1 Chair Auto Mode Switches | 3 Bowl Flush Switch |
| 2 Chair Manual Control Switches | 4 Cupfiller Switch |



Unit



Integrated cuspidor

The highly durable integrated cuspidor creates an attractive, aseptic environment for the patient and the smooth surface makes it easy to clean. Detachable glass bowl is durable, transparent and easy to clean.



Operator's table

Incorporating holder type instrumentation with "first priority system", the operator's table is adjustable both vertically and horizontally to give optimal positioning.

*available for E-type only



Assistant's console

The assistant's console includes 3-way syringe, vacuum and saliva ejector tubings, and easy clean membrane switches to control chair movements, cuspidor bowl flush and cupfiller.



Foot control

A2(control of air instruments, water on/off and chip air) for A type. SE(control of air instruments, water on/off, chip air and control of electric motor/scaler) for E type. Foot controller with handle is available as an option.

Light



EURUS LIGHT

The EURUS LIGHT provides sensor activation, stepless intensity between 5,000 lx and 34,000 lx, reproduces natural light with a high functional color rendering capacity.



900 LED LIGHT

The 900 LED light provides sensor activation, stepless intensity between 5,500 lx and 39,000 lx with rectangular light pattern and is bright enough to operate in the latest treatment styles.



300 LED LIGHT

The 300 LED light provides sensor activation, stepless intensity between 3,100 lx and 28,000 lx, three axis rotation and clear light pattern.

Instrument Delivery

Holder



A Type

E Type

Place



E Type

Rod



With optional left side control panel for E type



A Type



E Type

Variation

Air and electric options across the comprehensive range of delivery systems mean that any practice or hospital can fulfill its exact requirements.

Doctor unit	Holder	Place	Rod
Over the Patient	A-E	E	A-E
Cart	A-E	E	-

A=Air Type E=Electric Type

Options



Flushing tray



Panorama size Film viewer



Dental size Film viewer



Ratchet gear type assistant holder arm



Flat screen monitor bracket (not including monitor)

CLESTA II Options

● Standard | ○ Selectable | - Not available

Chair	Chair Mount (EURUS TYPE)	Chair Mount (original)
Twin-axis headrest	●	○
Armrest at left side only (fixed)	-	●
Armrest at both side, left side fixed & right side rotated	●	○
8-way foot switch (manual/auto)	-	●
Integrated stick switch (2 controls, manual & auto mode chair switch)	○	-

Dentist Element	Air type	Electric type
Membrane switch (chair auto/manual, cupfiller, bowlflush)	●	-
Membrane switch (chair auto/manual, cupfiller, bowlflush, handpiece light, handpiece, extra (dental light))	-	●
Large operator's table with silicon mat	●	●
Small size operator's table with silicon mat	○	○
Foot controller A2	●	-
Foot controller SE	-	●
Combined foot controller	○	○
3-way syringe	○	○
6-way syringe	-	○
Midwest 4-hole turbine hose	○	○
Electric micromotor	○	○
Electric scaler	○	○
Dental size film viewer	○	○
Panorama size film viewer	○	○

Assistant Element	Chair
Standard type assistant arm	○
Ratchet gear type assistant arm	○
3-way syringe	○
Curing light	○

Unit Body	Chair
Electric timered cupfiller & bowl flush	○
Sensored cupfiller & bowl flush	○
Rotating cuspidor bowl	○
Colored glass cuspidor bowl (blue, green, pink)/ white porcelain	○
Water heater	○
Water disinfection system	○
Clean water system	○
Separator	○
Flushing system	○
Monitor bracket	○
Separated junction box	○

Light	Chair	
	EURUS TYPE	original
900 LED LIGHT (D200)	○	○
900 LED LIGHT	○	○
EURUS LIGHT	○	-
300 LED LIGHT	-	○

Color Variations

EURUS TYPE [Seam & Seamless]



Seam [Sky Blue]



Seamless [Sky Blue]

Warm Color						
Cool Color						
Earth Color						
Vitamin Color						

CLAIR / original [Seamless]



Seamless -original [Mandarin Orange]

Warm Color						
Cool Color						
Earth Color						
Vitamin Color						

EURUS TYPE [Luxury]



Luxury [Maroon]

CLAIR / original [Luxury]



Luxury -original [Dark Blue]
